

Use of this Dispenser

Not recommended for outdoor installation or in wet environments. Do not attempt to clean the dispenser with a water jet. Follow the installation and usage instructions. Only use genuine Kimberly-Clark Professional product refills intended for the specific model. The dispenser can be cleaned using a damp cloth and detergent, do not use abrasive cleaning products.

These instructions are available at www.kcprofessional.com.

General Safety Information

This dispenser can be used by children over the age of 8 years old and persons with reduced physical, sensory or mental capabilities, or lack of experience and knowledge, provided they have been given supervision or instruction concerning use of the dispenser by a person responsible for their safety. Access to the service area is restricted to persons who have knowledge and practical experience of the dispenser, in particular as far as safety and hygiene are concerned.

This dispenser is not a toy and shall not be used by children as such. Children shall not perform cleaning or user maintenance of this dispenser. High-risk individuals are not expected to use this dispenser safely unless continuous supervision is given

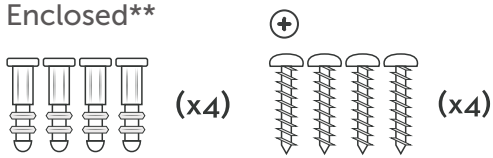
**For additional faceplates, contact your sales representative.

*Not Included

Need more information?
These instructions and additional resources are available at www.kcprofessional.com.

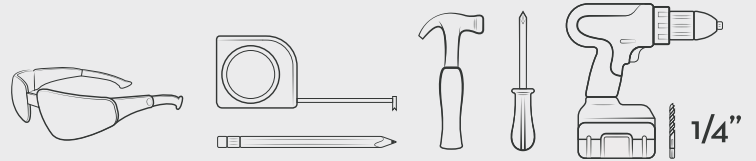
Install Bracket

Enclosed**

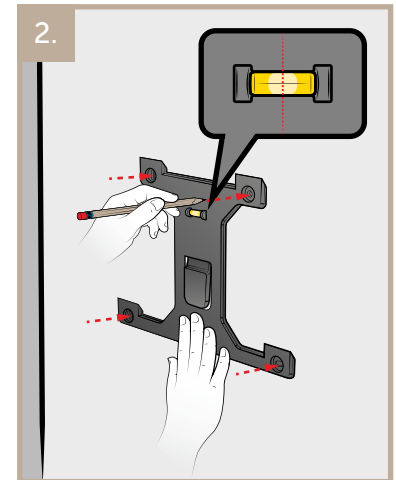
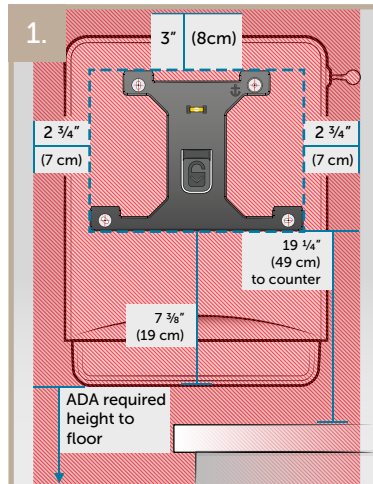


For push buttons and other available parts, contact your sales representative.

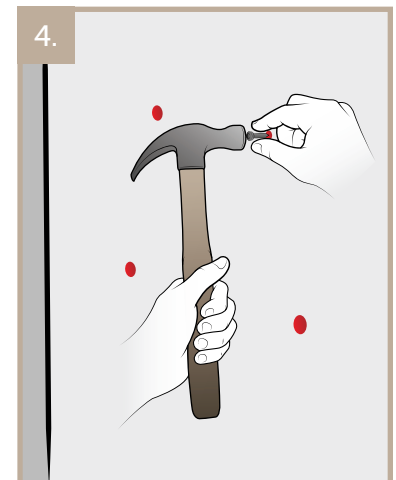
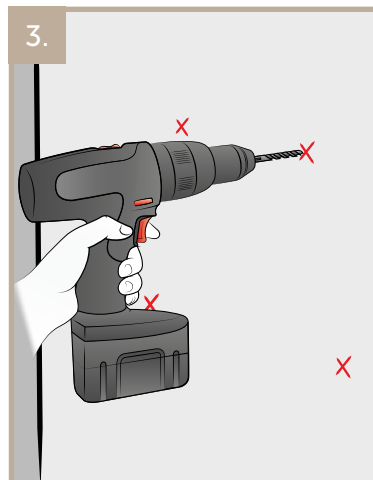
Tools Required:



1. Align bracket to local ADA requirement distance from floor + 7 3/8" (19 cm). This will ensure the bottom of the dispenser is at the correct ADA height. Allow 2 3/4" of space from the wall to either side of the widest point of the bracket. Allow 3" of space from top of the bracket. If installing above a countertop, allow at least 19 1/4" of space from the bottom of the bracket to counter. Make sure the built-in level on the bracket reads level. Ensure the required clearance space is free of obstructions for proper dispenser installation. **Check for regional & local installing/mounting requirements.**

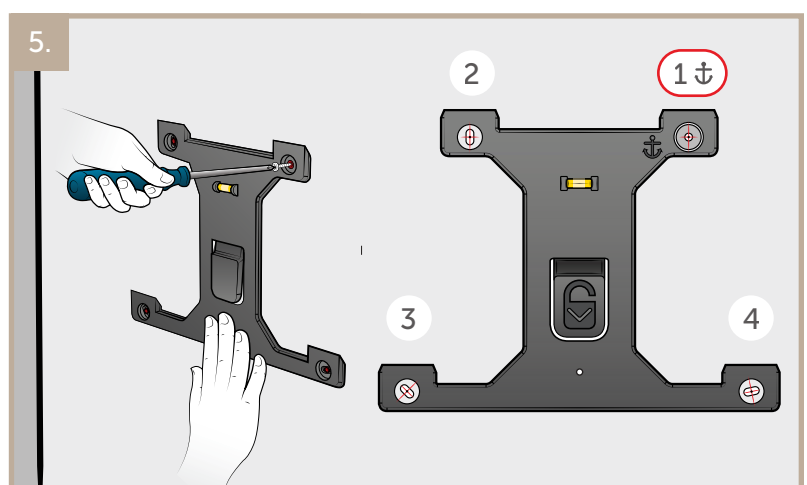


2. Carefully brace the mounting bracket in place once it is properly located on the wall and mark holes to drill.
3. Remove the bracket from the wall, leaving just the four marked holes. Drill a hole in each of the four marked locations so anchors can be inserted.
4. Tap in the four anchors in each drilled hole so the bracket can be screwed to the wall.



5. Bring back the mounting bracket and insert a screw into each wall anchor to secure the mounting bracket to the wall.

Be sure to screw the mounting bracket to the wall starting with the top right hole. **Make sure not to over-tighten the screw and damage the bracket.**



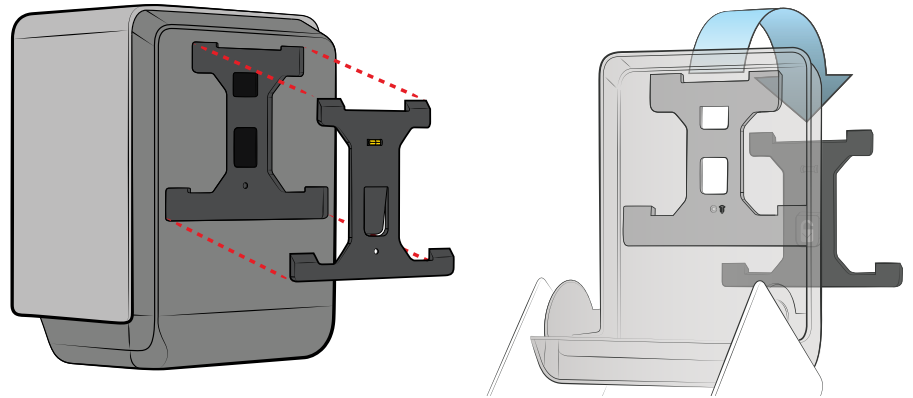
** Ensure that proper mounting hardware is used for appropriate wall composition as enclosed hardware may not be compatible with your wall surface.



Install Dispenser

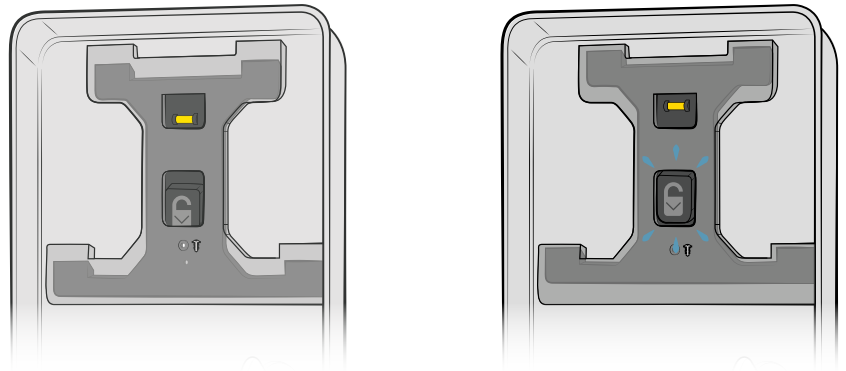
1. Carefully line the mounted wall bracket up to the rear, corresponding bracket pocket of the dispenser backplate to complete installation.

1.



2. Once the mounting bracket is in its designated corresponding pocket, carefully lower the dispenser until the lock button clicks.

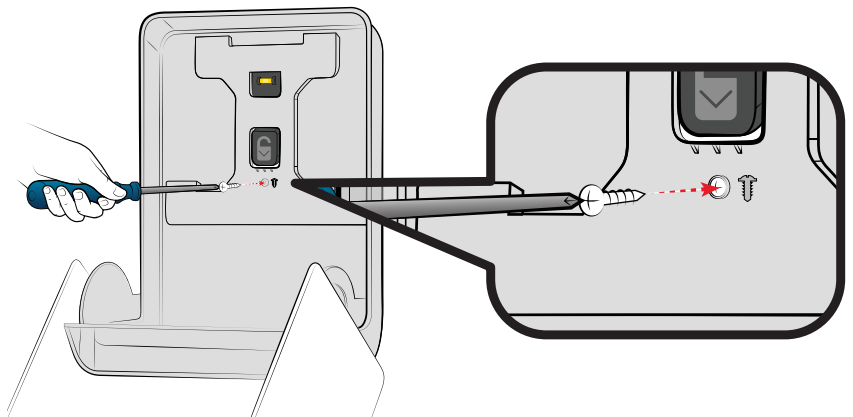
2.



3. Fasten the security screw to completely secure the dispenser to the mounting bracket. **Do not over-tighten the security screw!**

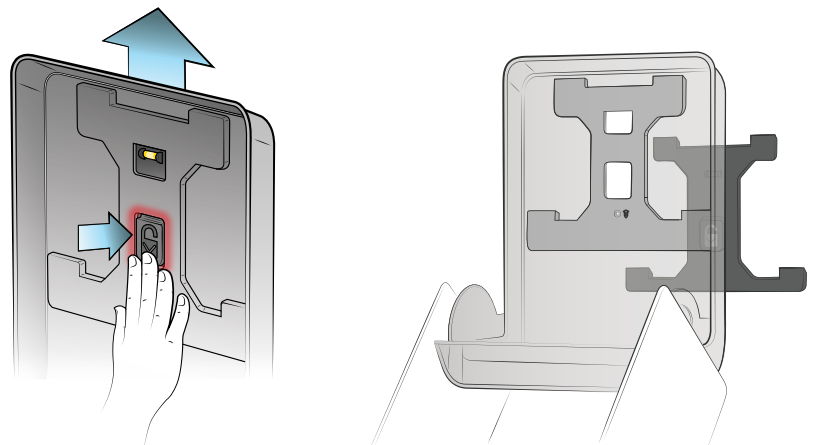
This is so that the dispenser does not inadvertently become separated from the bracket.

3.



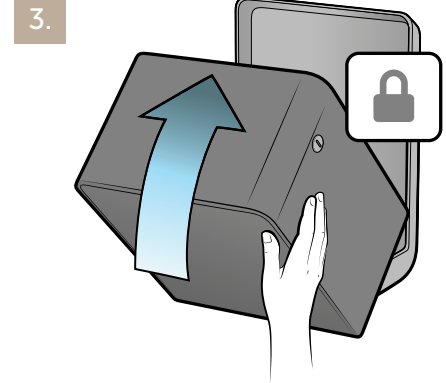
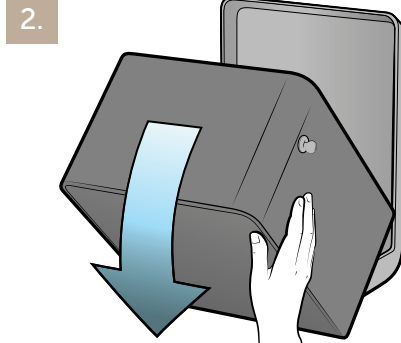
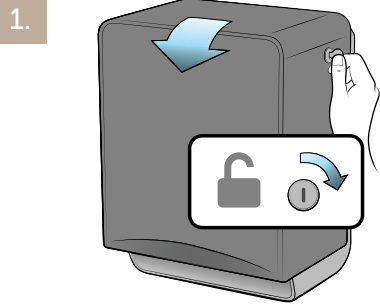
4. To remove the dispenser, first remove the security screw. Then press the lock button and lift the dispenser off of the bracket.

4.



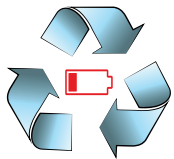
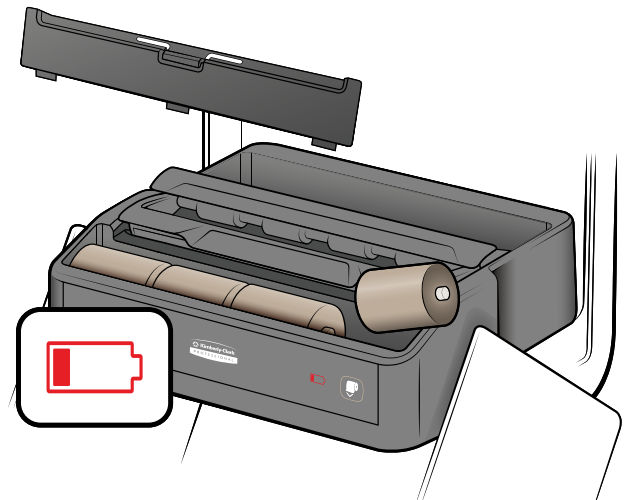
Dispenser Access

1. To unlock the dispenser, insert key into lock and rotate the key one quarter turn towards the wall. Gently pull the cover forward.
2. The key may be removed at this point. The cover will automatically open, do not force.
3. To lock, close the cover. The dispenser will lock automatically without the key if the lock is returned to the lock position.



Replace Batteries

1. To load batteries, depress the battery lid tab and lift upward.
2. Remove depleted batteries if present.
3. Insert new batteries ensuring polarity is correct.
4. Align tabs on battery cover to front of battery compartment opening and push to engage.



Battery Information

- 4D type 1.5V alkaline batteries required. (Batteries provided for initial installation.)
- Change all 4 batteries at the same time, do not mix types or brand of batteries.
- Please follow the battery insertion instructions ensuring polarity is correctly aligned.
- Used batteries are to be disposed of safely and follow local environmental policy for disposal.
- Do not short circuit the supply terminals of the battery or the dispenser.
- Non-rechargeable batteries are not to be recharged.
- Remove batteries if stored unused for an extended amount of time.

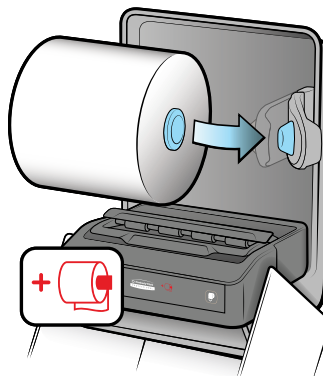
+ Load New Roll

1. Load rolled towel into upper roll holders.

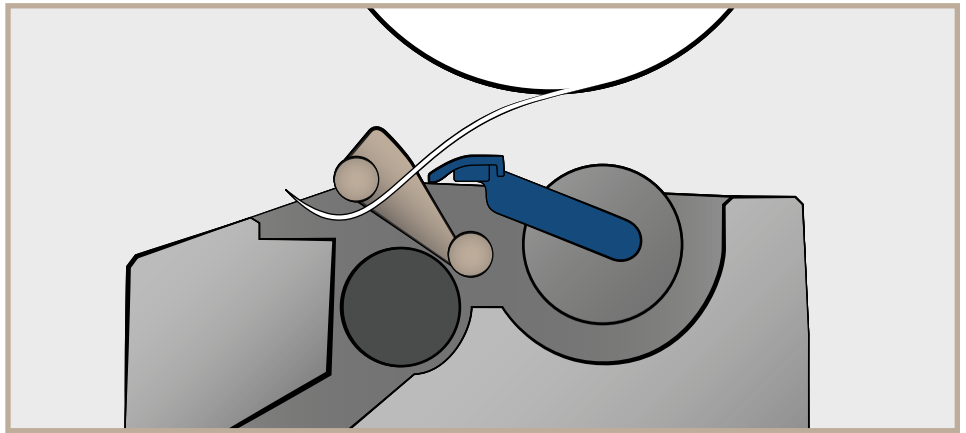
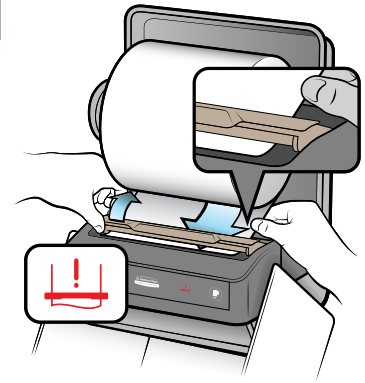
Do not remove core plug.
Some towels will feed over the top of the roll.

2. Lift the bronze loading bar and place the leading edge of the towel under the bar and on top of the large black roller. Have the towel extend up to 1" inch in front of the bronze bar. Release the front loading bar.

1.



2.

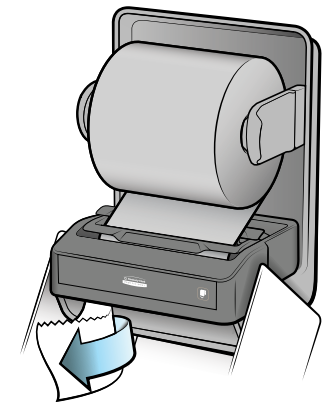


3. Press the sheet feed button until towel exits the module.
4. Tear off any dispensed towel.

3.

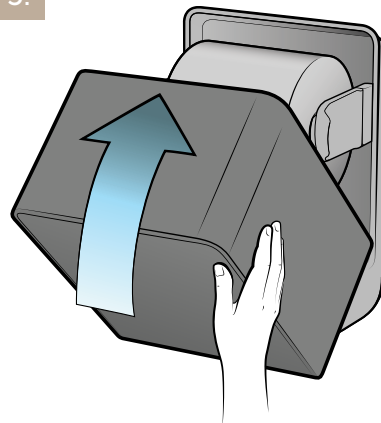


4.

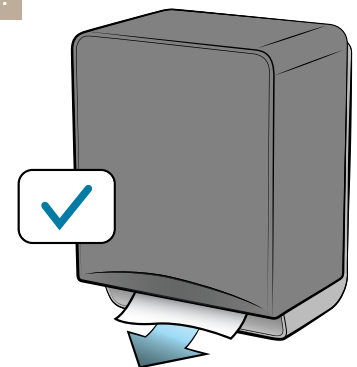


5. Close cover securely.

5.



6.



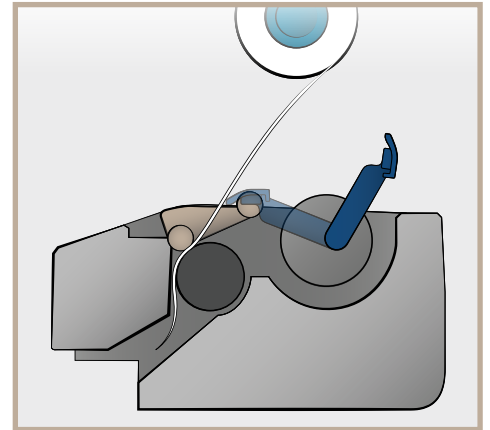
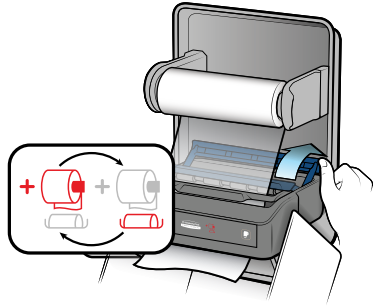
6. After 4 seconds, a sheet will automatically dispense to confirm proper loading.



Load Stub Roll

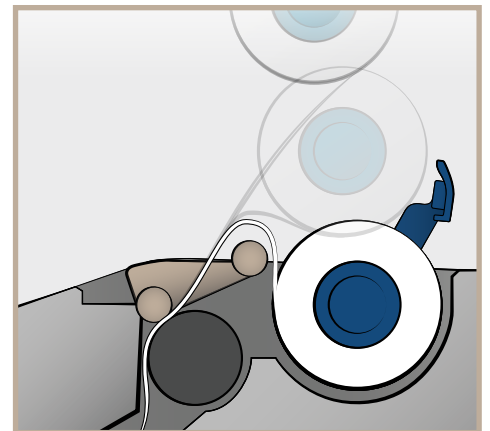
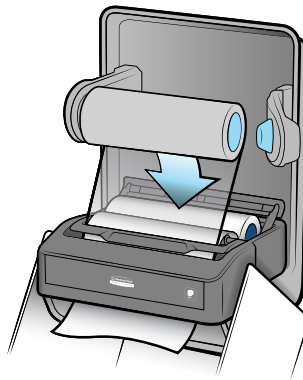
1. Lift the blue loading bar to its raised position.

1.



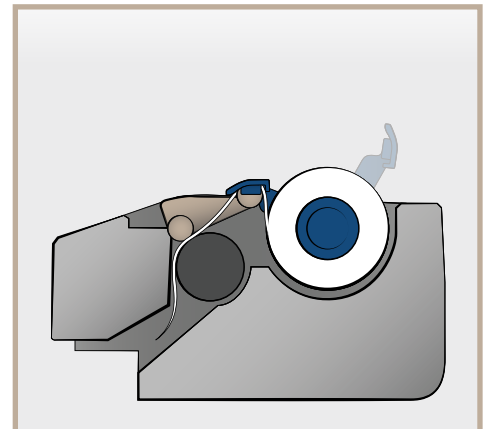
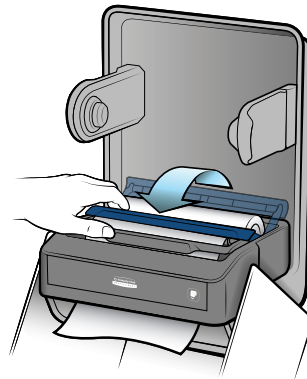
2. Without disengaging the sheet from the drive mechanism, move the stub roll from the upper roll holders to the lower blue roll holders.

2.



3. Lower the blue loading bar to its original position.

3.

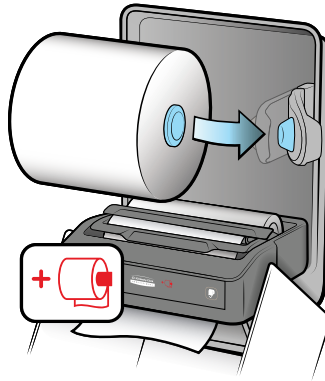




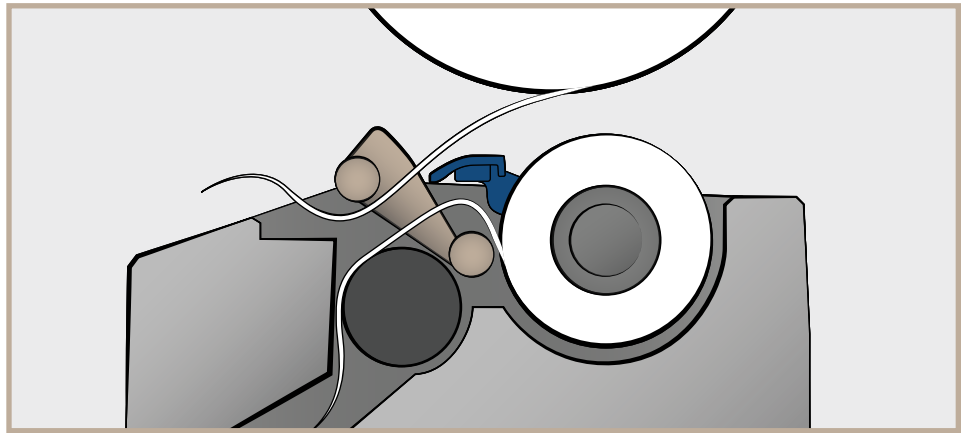
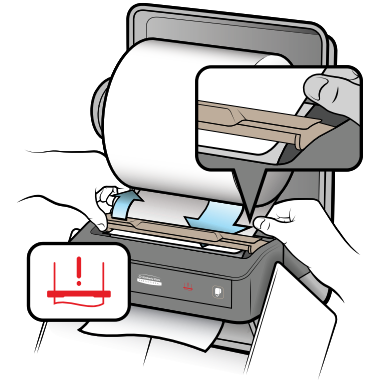
Load Stub Roll (continued)

4. Load a new rolled towel into upper roll holders.
5. Lift the bronze loading bar and place the leading edge of the rolled towel from the new roll under the bar. Have the rolled towel extend up to 1" inch in front of the bronze bar.

4.

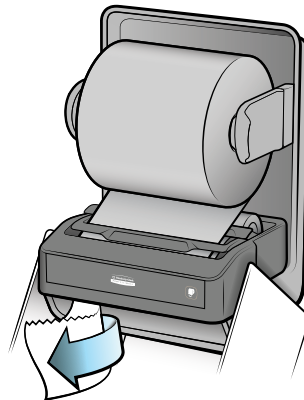


5.

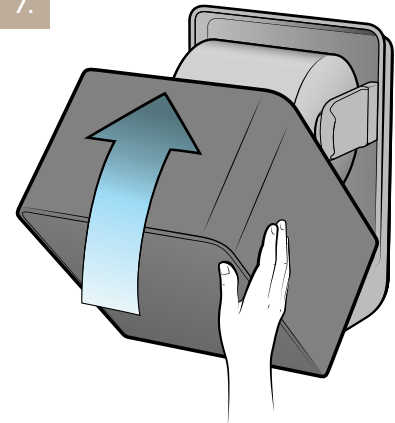


6. Tear off any dispensed towel.
7. Close cover securely.

6.

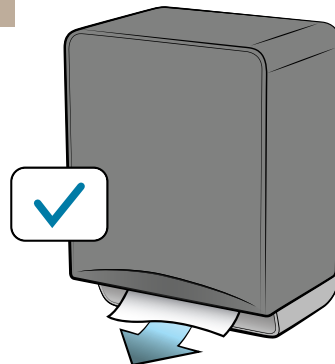


7.



8. After 4 seconds, a sheet will automatically dispense to confirm proper loading.

8.



Do Not Flush



Dispose in Trash



Do Not Flush

Label Placement Recommendation



Flushing of non-flushable products, such as paper towels, can cause internal plumbing issues as well as issues in municipal sewage systems.

To help avoid such issues, Kimberly-Clark Professional* provides "Do Not Flush" labels for white and faux stainless steel dispensers.

These labels have a non-permanent adhesive and may be removed at a later date if desired.



Legal

®/™ Trademarks of Kimberly-Clark Worldwide, Inc. or its affiliates. © KCWW

®/™ Marques de commerce de Kimberly-Clark Worldwide, Inc. ou de ses filiales. © KCWW

Parts made in Mexico and China, Assembled in Mexico / Pièces fabriquées au Mexique et en Chine, et assemblées au Mexique /

Partes hechas en México y China, armado en México / Teile hergestellt in Mexiko und China, montiert in Mexiko /

Peças produzidas no México e na China, montagem no México / 部件在墨西哥和中国制造, 在墨西哥组装

Distributed in the U.S. by Kimberly-Clark Global Sales, LLC, Roswell, GA 30076-2199

Distributed in Canada by Kimberly-Clark Inc., Mississauga, Ontario L5B 3Y5

Kimberly-Clark Europe Limited, Walton Oaks, Dorking Road, Tadworth, Surrey, KT20 7NS, UK. www.kcprofessional.co.uk

Kimberly-Clark B.V., Copernicuslaan 35, 6716 BM Ede, Netherlands. www.kcprofessional.fr (FR) or www.kcprofessional.de (DE)

Distributed in Australia by Kimberly-Clark Australia Pty. Ltd, Level 4, 100 Arthur Street, North Sydney, NSW 2060 Tel: 1800 647 994 www.kcprofessional.com.au

Distributed in New Zealand by Kimberly-Clark New Zealand, Level 2, 123 Carlton Gore Road, Newmarket, Auckland 1023, New Zealand Tel: 0800 447 814

www.kcprofessional.co.nz

Distributed in Singapore by Kimberly-Clark Singapore Pte. Ltd, 81 Tuas South Avenue 8, Singapore 637558. Tel: 1 800 562 5275 www.kcprofessional.com.sg

中国责任单位: 金佰利(中国)有限公司 上海市黄浦区淡水路299号12楼 200025 咨询电话: 400 6517 268 www.kcprofessional.com.cn



Juridique

®/™ Trademarks of Kimberly-Clark Worldwide, Inc. ou de ses sociétés affiliées. © KCWW

®/™ Marques de commerce de Kimberly-Clark Worldwide, Inc. ou de ses filiales. © KCWW

Parts made in Mexico and China, Assembled in Mexico / Pièces fabriquées au Mexique et en Chine, et assemblées au Mexique /

Partes hechas en México y China, armado en México / Teile hergestellt in Mexiko und China, montiert in Mexiko /

Peças produzidas no México e na China, montagem no México / 部件在墨西哥和中国制造, 在墨西哥组装

Distribué aux É-U par Kimberly-Clark Global Sales, LLC, Roswell, GA 30076-2199

Distribué au Canada par Kimberly-Clark Inc., Mississauga, Ontario L5B 3Y5

Kimberly-Clark Europe Limited, Walton Oaks, Dorking Road, Tadworth, Surrey, KT20 7NS, UK. www.kcprofessional.co.uk

Kimberly-Clark B.V., Copernicuslaan 35, 6716 BM Ede, Netherlands. www.kcprofessional.fr (FR) ou www.kcprofessional.de (DE)

Distribué en Australie par : Kimberly-Clark Australia Pty. Ltd, Level 4, 100 Arthur Street, North Sydney, NSW 2060 Tel: 1800 647 994 www.kcprofessional.com.au

Distribué en Nouvelle-Zélande par : Kimberly-Clark New Zealand, Level 2, 123 Carlton Gore Road, Newmarket, Auckland 1023, New Zealand Tel: 0800 447 814

www.kcprofessional.co.nz

Distribué à Singapour par : Kimberly-Clark Singapore Pte. Ltd, 81 Tuas South Avenue 8, Singapore 637558. Tel: 1 800 562 5275 www.kcprofessional.com.sg

中国责任单位: 金佰利(中国)有限公司 上海市黄浦区淡水路299号12楼 200025 咨询电话: 400 6517 268 www.kcprofessional.com.cn

🔊 **Обща информация за безопасност**

Този дозатор може да се използва от деца на възраст над 8 години и лица с намалени физически, сетивни или умствени възможности, или липса на опит и знания, при условие че им е осигурен надзор или инструкции относно използването на дозатора от лице, отговарящо за тяхната безопасност. Достъпът до зоната на обслужване е ограничен до лица, които имат познания и практически опит с дозатора, по-специално що се касае до безопасността и хигиената.

Този дозатор не е играчка и не трябва да се използва от деца като такъв. Деца не трябва да почистват или да извършват потребителска поддръжка на този дозатор. Не се очаква високорискови лица да използват безопасно този дозатор, освен ако не е осигурен непрекъснат надзор.

🔊 **Všeobecné bezpečnostní informace**

Tento dávkovač mohou používat děti starší 8 let a osoby s omezenými fyzickými, smyslovými či duševními schopnostmi nebo nedostatkem zkušeností a znalostí, pokud jsou pod dohledem nebo pokud jim byly uděleny pokyny, jak dávkovač používat, osobou odpovídající za jejich bezpečí. Přístup do prostorů dávkovače, kde se provádí servis, je omezen na osoby, jež mají znalosti a praktické zkušenosti s dávkovačem, zejména s ohledem na bezpečnost a hygienu.

Dávkovač není hračka a neměl by takto být používán dětmi. Děti nesmí provádět čištění ani uživatelskou údržbu dávkovače. Neočekává se, že by tento dávkovač používali bezpečně vysoce riziková jedinci, pokud nejsou pod neustálým dohledem.

🔊 **Generel sikkerhedsinformation**

Denne dispenser kan bruges af børn over 8 år og personer med nedsat fysiske, sansmæssige eller mentale evner eller manglende erfaring og viden, forudsat at de er under opsyn eller har fået vejledning angående brugen af dispenserens af en person, der er ansvarlig for deres sikkerhed. Adgang til betjeningsområdet er begrænset til personer, som har viden og praktisk erfaring med dispenserens, i særdeleshed hvad angår sikkerhed og hygiejne.

Denne dispenser er ikke et legetøj og må ikke bruges af børn som sådan. Børn må ikke rengøre eller udføre brugervedligeholdelse af denne dispenser. Personer med høj risiko forventes ikke at bruge denne dispenser sikkert, medmindre de fortsat er under opsyn.

🔊 **Γενικές πληροφορίες ασφαλείας**

Αυτός ο διανεμητής μπορεί να χρησιμοποιηθεί από παιδιά άνω των 8 ετών και άτομα με μειωμένες σωματικές, αισθητηριακές ή διανοητικές ικανότητες, ή έλλειψη εμπειρίας και γνώσης, υπό την προϋπόθεση ότι τους παρέχεται επίβλεψη ή οδηγίες σχετικά με τη χρήση του διανεμητή από άτομο υπεύθυνο για την ασφάλειά τους. Η πρόσβαση στον χώρο εξυπηρέτησης περιορίζεται σε άτομα που έχουν γνώση και πρακτική εμπειρία του διανεμητή, ιδίως όσον αφορά την ασφάλεια και την υγιεινή.

Αυτός ο διανεμητής δεν είναι παιχνίδι και δεν πρέπει να χρησιμοποιείται σαν τέτοιο από παιδιά. Τα παιδιά δεν πρέπει να πραγματοποιούν καθαρισμό ή συντήρηση χρήστη σε αυτόν τον διανεμητή. Η χρήση αυτού του διανεμητή από άτομα υψηλού κινδύνου δεν αναμένεται να είναι ασφαλής, εκτός αν τους παρέχεται συνεχής επίβλεψη.

🔊 **Üldine ohutusteave**

Vanemad kui 8 aasta vanused lapsed ning keha-, meele- või vaimupuudega inimesed või inimesed, kellel puuduvad kogemused ja teadmised, tohivad seda jaoturit kasutada eeldusel, et nad teevad seda nende ohutuse eest vastutava isiku järelevalve all või juhiste kohaselt. Juurdepääs teenindusalale on lubatud vaid isikutele, kellel on jaoturi kasutamiseks vajalikud teadmised ja praktilised oskused, eelkõige ohutuse ja hügieeni osas.

See jaotur ei ole mänguasi. Lapsed ei tohi sellega mängida. Lapsed ei tohi jaoturit puhastada ega hooldada. Riskigrupi isikute jaoks ei ole jaoturi kasutamine ohutu, välja arvatud juhul, kui on tagatud pidev järelevalve.

🔊 **Yleiset turvallisuustiedot**

Tätä annostelijaa voivat käyttää yli 8-vuotiaat lapset ja henkilöt, joilla on heikentyneet fyysiset, aistiperäiset tai henkiset kyvyt tai joilla ei ole kokemusta tai tietoa, edellyttäen, että heitä on valvonut tai opastanut annostelijan käytössä heidän turvallisuudestaan vastuussa oleva henkilö. Pääsy palvelualueelle on rajoitettu henkilöihin, joilla on tietoa ja käytännön kokemusta annostelijasta, erityisesti turvallisuuden ja hygienian osalta.

Tämä annostelija ei ole lelu, eivätkä lapset saa käyttää sitä sellaisenaan. Lapset eivät saa puhdistaa tai huoltaa tätä annostelijaa. Riskiryhmään kuuluvien henkilöiden ei odoteta käyttävän tätä annostelijaa turvallisesti, ellei käyttöä valvota jatkuvasti.

🔊 **Opće sigurnosne informacije**

Ovaj dozator mogu koristiti djeca starija od 8 godina i osobe s smanjenim tjelesnim, senzornim ili mentalnim sposobnostima, ili s nedostatkom iskustva i znanja, pod uvjetom da im je dat nadzor ili upute u vezi s korištenjem dozatora od strane osobe odgovorne za njihovu sigurnost. Pristup području pružanja usluge ograničen je na osobe koje imaju znanje i praktično iskustvo u radu s dozatorom, posebice što se tiče sigurnosti i higijene.

Ovaj dozator nije igračka i djeca ga ne smiju koristiti kao igračku. Djeca ne smiju čistiti ili obavljati korisničko održavanje ovog dozatora. Ne očekuje se da visokorizične osobe s sigurnošću koriste ovaj dozator osim ako im nije pružen kontinuirani nadzor.

🔊 **Általános biztonsági információk**

Ezt az adagolót 8 évesnél idősebb gyermekek és csökkent fizikai, érzékszervi vagy mentális képességekkel rendelkező személyek, illetve tapasztalattal és ismeretekkel nem rendelkező is személyek használhatják, feltéve, hogy a biztonságukért felelős személy biztosítja nekik az adagoló használatával kapcsolatban a megfelelő felügyeletet vagy útmutatást. A szolgáltatási területre csak olyan személyek léphetnek be, akik rendelkeznek az adagolóval kapcsolatos ismeretekkel és gyakorlati tapasztalattal, különösen a biztonság és a higiénia vonatkozásában.

Ez az adagoló nem játék, és gyermekek nem használhatják játékként. Gyermekek nem végezhetik a tisztítási vagy felhasználói karbantartási műveleteket ezen az adagolón. A magas kockázatot jelentő személyek várhatóan nem tudják biztonságosan használni ezt az adagolót, kivéve, ha folyamatos felügyeletet kapnak.

🔊 **Informazioni generali di sicurezza**

Questo erogatore può essere utilizzato da bambini di età superiore agli 8 anni e persone con capacità fisiche, sensoriali o mentali ridotte o con mancanza di esperienza o conoscenza, ammesso che siano stati date loro istruzioni riguardo l'uso dell'erogatore o che siano supervisionati da una persona responsabile per la loro sicurezza. L'accesso all'area di servizio è limitato alle persone che conoscono ed hanno esperienza pratica con l'erogatore, in particolare per quanto riguarda la sicurezza e l'igiene.

Questo erogatore non è un giocattolo e non dovrebbe essere utilizzato dai bambini come tale. I bambini non dovrebbero occuparsi della pulizia o della manutenzione di questo erogatore. Le persone considerate ad alto rischio non dovrebbero utilizzare questo erogatore a meno che non siano soggetti ad una supervisione continua.

🔊 **Bendroji saugos informacija**

Šiuo dozatoriumi gali naudotis vyresni kaip 8 metų vaikai ir sumažėjusių fizinių, jutiminių arba protinių sugebėjimų arba mažai patirties ir žinių turintys asmenys, jeigu yra prižiūrimi arba gauna nurodymus dėl naudojimosi dozatoriumi iš asmens, atsakingo už jų saugą. Prieiga prie priežiūros zonos suteikiama tik asmenims, kurie turi žinių ir praktinės patirties su dozatoriumi, ypač saugos ir higienos aspektais.

Šis dozatorius nėra žaislas ir vaikai juo negali naudotis kaip žaislu. Vaikai negali vartyti šio dozatoriaus arba atlikti jam skirtos naudotojo priežiūros. Didelės rizikos grupėi priskirti asmenys saugiai naudotis šiuo dozatoriumi gali tik nuolatol prižiūrimi.

🔊 **Vispārīgā drošības informācija**

Šo dozatoru var lietot bērni, kas vecāki par 8 gadiem, un personas ar ierobežotām fiziskām, sensorām vai garīgām spējām vai pieredzes un zināšanu trūkumu, ja vien persona, kas atbildīga par viņu drošību, viņus uzrauga vai ir sniegusi norādījumus par dozatora lietošanu. Piekļuve apkalpošanas zonai ir atļauta tikai personām, kurām ir zināšanas un praktiska pieredze ar dozatoru, jo īpaši attiecībā uz drošību un higiēnu.

Šis dozators nav rotaļlieta, un to nedrīkst lietot bērni kā tādu. Bērni nedrīkst veikt šī dozatora tīrīšanu vai lietotāja apkopi. Nav paredzēts, ka šo dozatoru drošā veidā lietos augsta riska personas, ja vien netiek nodrošināta nepārtraukta uzraudzība.

🔊 **Algemene veiligheidsinformatie**

Deze dispenser kan worden gebruikt door kinderen vanaf 8 jaar en personen met verminderde fysieke, zintuiglijke of mentale capaciteiten, of gebrek aan ervaring en kennis, op voorwaarde dat zij supervisie of instructie krijgen omtrent het gebruik van de dispenser door iemand die verantwoordelijk is voor hun veiligheid. Toegang tot de serviceruimte is beperkt tot personen die kennis en praktische ervaring hebben met de dispenser, voornamelijk wanneer het om veiligheid en hygiëne gaat.

Deze dispenser is geen speelgoed en kan niet zo worden gebruikt door kinderen. Kinderen mogen deze dispenser niet schoonmaken of onderhouden. Van individuen met hoog risico kan niet worden verwacht dat zij deze dispenser veilig gebruiken behalve wanneer zij onder continue supervisie staan.

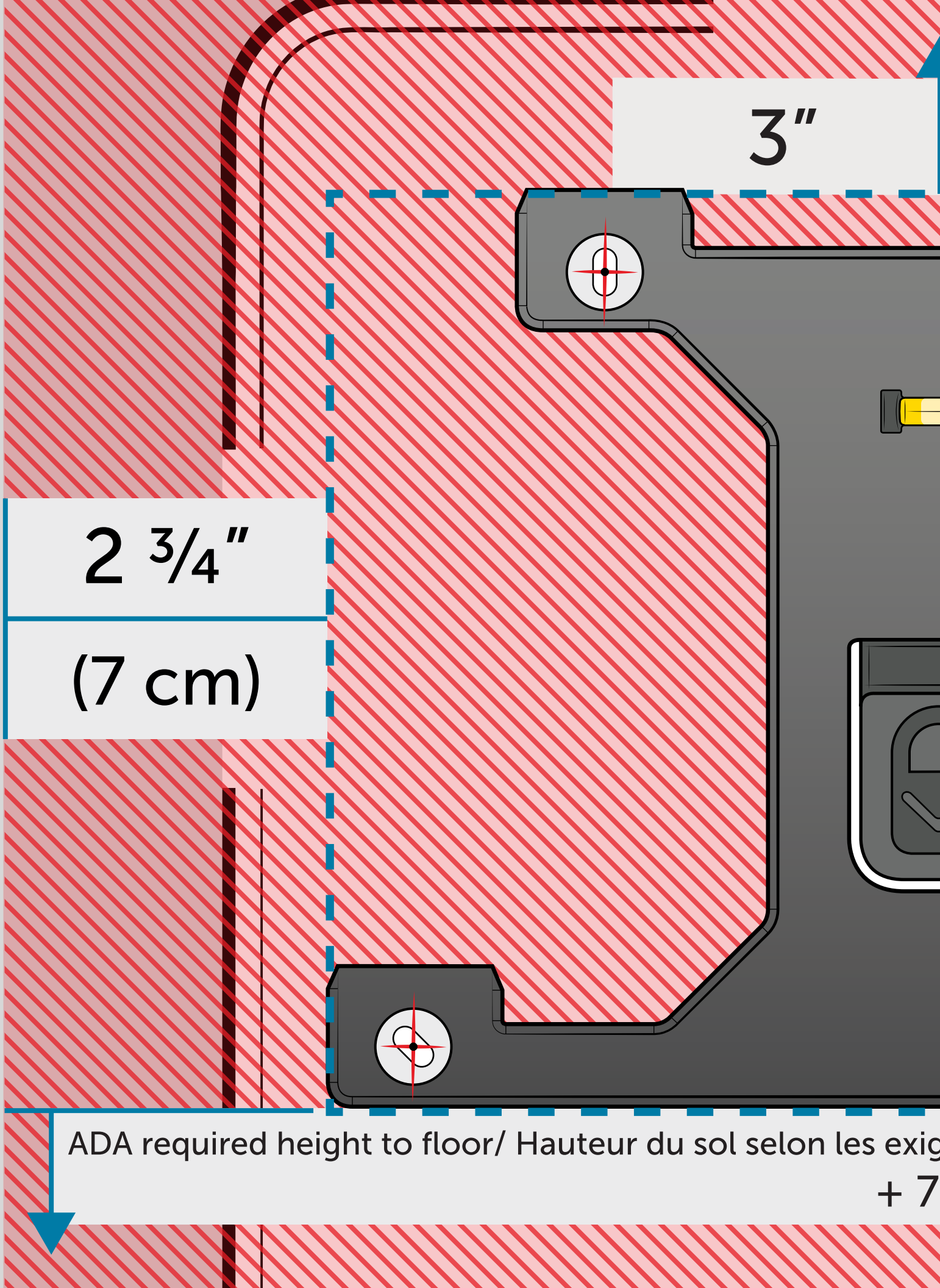
3"

2 3/4"

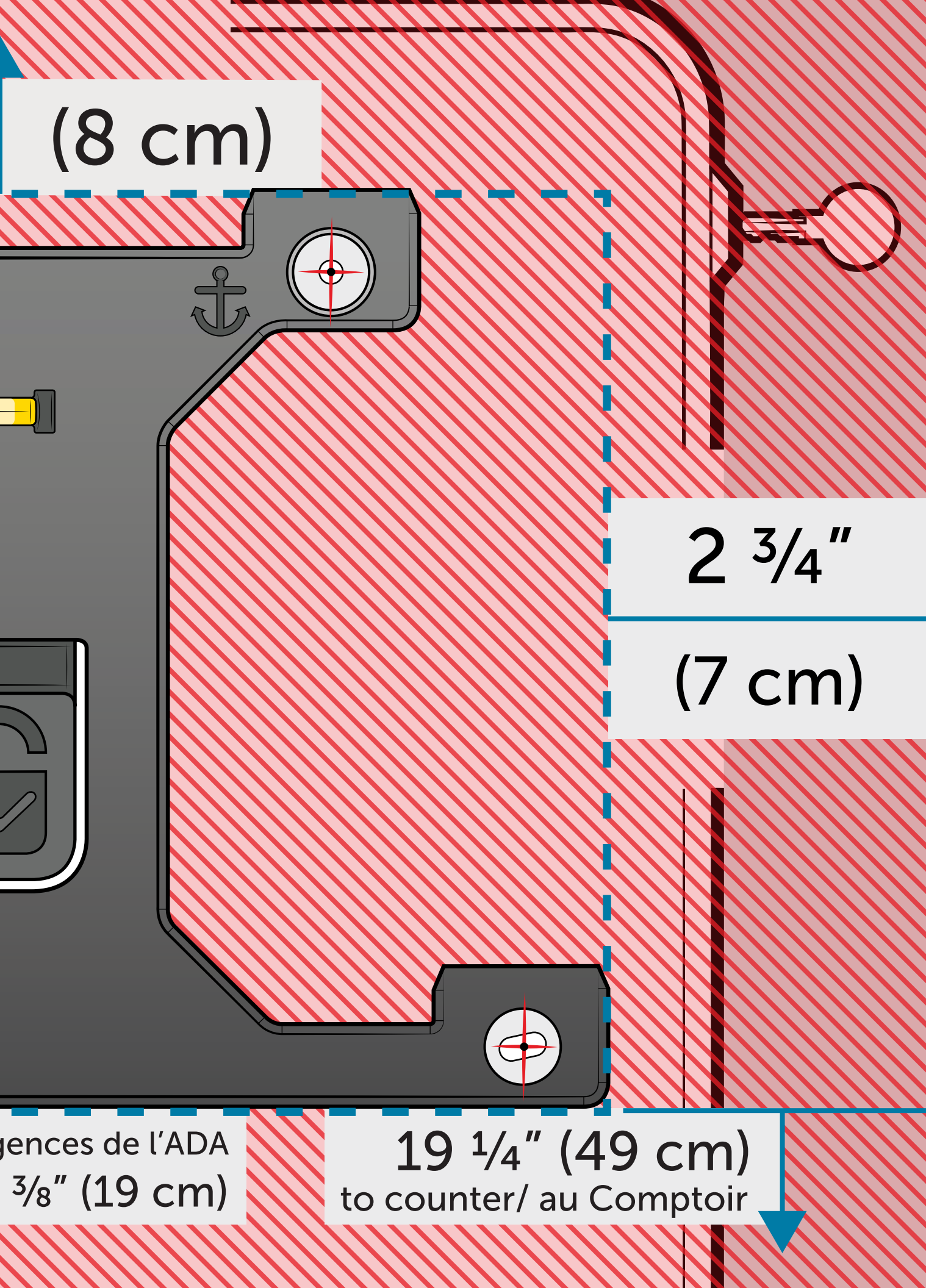
(7 cm)

ADA required height to floor/ Hauteur du sol selon les exig

+ 7



(8 cm)



2 3/4"

(7 cm)

ances de l'ADA
3/8" (19 cm)

19 1/4" (49 cm)
to counter/ au Comptoir

📌 Generell sikkerhetsinformasjon

Denne dispenser kan brukes av barn over 8 år og personer med redusert fysisk, følelsesmessig eller mental funksjonsevne, eller mangel på erfaring og kunnskap, forutsatt at de gis tilsyn eller veiledning om bruken av dispenser av en person som er ansvarlig for deres sikkerhet. Tilgang til tjenesteområdet er begrenset til personer som har kunnskap og praktisk erfaring med dispenser, særlig i forhold til sikkerhet og hygiene.

Denne dispenser er ikke et leketøy og skal ikke brukes av barn som noe slikt. Barn skal ikke utføre rengjøring eller brukervedlikehold på dispenser. Høyriskopersoner forventes ikke å bruke denne dispenser på en sikker måte med mindre de er underlagt kontinuerlig tilsyn.

📌 Ogólne informacje dotyczące bezpieczeñstwa

Dozownik mo¿e byé u¿ywany przez dzieci w wieku powy¿ej 8 lat i osoby o ograniczonych zdolnoœciach fizycznych, sensorycznych lub umystowych, lub nieposiadaj¿ce doœwiadczenia i wiedzy, pod warunkiem, ¿e pozostaj¿ one pod nadzorem lub zosta¿y poinstruowane w zakresie obœtugi dozownika przez osobê odpowiedzialn¿ za ich bezpieczeñstwo. Dostêp do strefy uslugowej maj¿ wy¿¿cznie osoby posiadaj¿ce wiedzê i doœwiadczenie praktyczne dotycz¿ce obœtugi dozownika, w szczególnœci w zakresie bezpieczeñstwa i higieny.

Dozownik nie jest zabawk¿ i nie mog¿ siê nim bawié dzieci. Dzieci nie mog¿ czyœcié ani konserwowaé dozownika. Oczekuje siê, ¿e osoby z grupy wysokiego ryzyka bêd¿ bezpiecznie korzystaé z dozownika jedynie pod statym nadzorem.

📌 Informaéii Generale de Siguranéa

Acest dozator poate fi utilizat de copii cu vârsta de peste 8 ani și de persoane cu capacitãéi fizice, senzoriale sau mentale reduse, sau lipsite de experienéa sau cunoœtinéa, cu condiéia sã li se ofere supraveghere sau instrucéiuni legate de utilizarea dozatorului de cãtre o persoanã responsabilã pentru siguranéa lor. Accesul la zona de serviciu este limitatã la persoanele care au cunoœtinéa și experienéa practicã despre dozator, în special în ceea ce priveœte siguranéa și igiena.

Dozatorul nu este o jucãrie și nu trebuie folosit de copii ca una. Copii nu vor efectua curãéarea sau întreéinerea acestui dozator. Persoanele cu risc ridicat nu pot sã utilizeze acest dozator în siguranéa, decãt sub supraveghere continuã.

📌 Общая информация по безопасности

Этот диспенсер могут использовать дети в возрасте от 8 лет и лица с ограниченными физическими, сенсорными или умственными способностями или без специального опыта или знаний под присмотром или после получения инструкции по применению диспенсера от ответственного за их безопасность лица. Доступ к служебным функциям ограничен и предоставляется только лицам, обладающим знаниями и практическим опытом использования диспенсера, в частности, по безопасности и гигиене.

Этот диспенсер не является игрушкой и не должен использоваться детьми для игры. Дети не должны проводить очистку или обслуживание диспенсера. Люди в группе высокого риска, вероятно, не смогут безопасно пользоваться диспенсером без постоянного присмотра.

📌 Vœebecné informãcie o bezpieczeñsti

Tento dávkovaé mœ¿u pou¿ívat deti vo veku nad 8 rokov a osoby so zní¿enými fyzickými, zmyslovými alebo mentálnymi schopnoœtami alebo s nedostatkom skúseností a znalostí za predpokladu, ¿e sú pod dohľadom alebo inœtruktážou o pou¿ívaní dávkovaéa osobou zodpovednou za ich bezpieczeñosé. Prístup do oblasti obsluhy je obmedzený na osoby, ktoré majú znalosti a praktické skúsenosti s dávkovaéom, najmã čo sa týka bezpieczeñsti a higieny.

Tento dávkovaé nie je hraéka a nesmú ho pou¿ívat deti ako také. Deti nesmú vykonãvat éistenie ani údržbu tohto dávkovaéa. Od osôb s vysokým rizikom sa neoéakãva, ¿e budú bezpečne pou¿ívat tento dávkovaé, pokiaľ nebudú pod neustálym dohľadom.

📌 Sploœne informacije o varnosti

Dozirnik lahko uporabljajo otroci, starejši od 8 let in osebe z zmanjšanimi fiziéniimi, senzoriéniimi ali umskimi sposobnostmi ali z manj izkuœnjami ali znanja, pod pogojem, da ga uporabljajo pod nadzorom ali da s strani osebe, ki je odgovorna za njihovo varnost, dobijo navodila za uporabo. Dostop do obmoéja servisiranja je omejen na osebe, ki znajo delati z dozirnikom in imajo praktiéne izkuœnje z njim, œe posebej kar zadeva varnost in éišéenje.

Dozirnik ni igraéa in ga otroci ne smejo uporabljati kot igraéo. Otroci ga ne smejo éistiti ali ga vzdrževati. Posamezniki z visokim tveganjem ne morejo varno uporabljati tega dozirnika, razen œe so pod stalnim nadzorom.

📌 Allmãn säkerhetsinformation

Denna dispenser kan användas av barn som är över 8 år och personer med nedsatt fysisk, sensorisk och mental förmåga, och även av personer som saknar erfarenhet och kunskap, förutsatt att de övervakas eller instrueras i användning av dispensern av en person som är ansvarig för deras säkerhet. Åtkomst till servicedelen är begränsad till personer som har kunskap och praktisk erfarenhet av dispensern, i synnerhet när det gäller säkerhet och hygien.

Denna dispenser är inte en leksak och ska inte användas av barn som en sådan. Barn får inte rengöra eller utföra användarunderhåll på denna dispenser. Högriskindivider förväntas inte använda denna dispenser på ett säkert sätt såvida inte kontinuerlig tillsyn ges.

📌 Genel Güvenlik Bilgileri

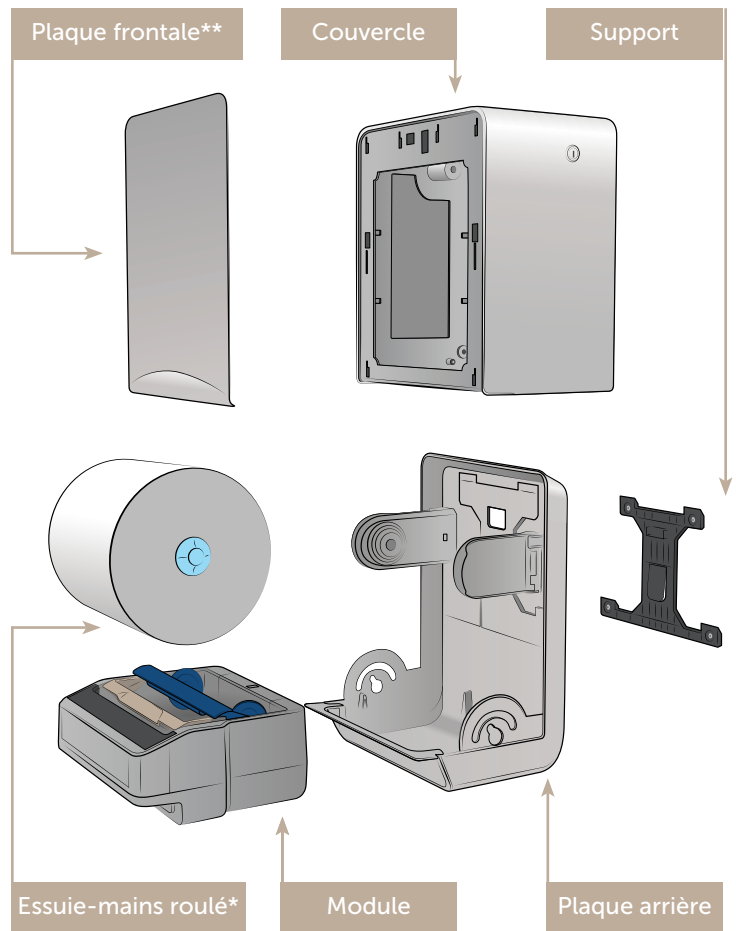
Bu dađıtıcı 8 yaœ úzerindeki çocuklar ve azalmıœ fiziksel, duyuusal veya zihinsel kapasitesi olan veya deneyimi ya da bilgisi olmayan kiœiler tarafından, güvenliyelerinden sorumlu kiœi tarafından dađıtıcı kullanımına iliœkin gözetim veya talimat sađılanması kaydıyla kullanılabilir. Hizmet alanına erişim, özellikle güvenlik ve hijyen hususları ilgili olduđu ölçüde dađıtıcı hakkında bilgi ve pratik deneyimi olan kiœilerle sınırlıdır.

Bu dađıtıcı bir oyuncak deđildir ve çocuklar tarafından bu œekilde kullanılmayacaktır. Çocuklar, bu dađıtıcının temizliđini veya kullanıcı bakımını yapmayacaktır. Yüksek riskli bireylerden süreklî gözetim sađılanmadığı takdirde, bu dađıtıcıyı kullanmaları beklenmemektedir.

📌 Загальні правила безпеки

Цей диспенсер можуть використовувати діти віком від 8 років та особи з обмеженими фізичними, сенсорними або розумовими здібностями, а також особи, які не мають достатнього досвіду і знань, тільки якщо вони перебувають під наглядом або отримали інструкції з безпечного користування приладом від особи, відповідальної за їхню безпеку. Доступ до зони технічного обслуговування дозволений лише тим особам, які мають відповідні знання та досвід роботи з диспенсером, зокрема це стосується правил безпеки та гігієни.

Не дозволяйте дітям гратися з диспенсером. Не дозволяйте дітям очищувати диспенсер й виконувати його технічне обслуговування. Особам, які знаходяться у групі високого ризику, не слід використовувати диспенсер без постійного нагляду іншої особи.



Utilisation de ce distributeur

Non recommandé en usage extérieur ou en environnements humides. Ne pas essayer de nettoyer le distributeur au jet d'eau. Suivre les instructions d'installation et d'utilisation. N'utiliser que des produits de rechange authentiques Kimberly-Clark conçus pour le modèle spécifique. Le distributeur se nettoie avec un chiffon humide et un détergent, ne pas utiliser de produits nettoyants abrasifs.

Ces instructions sont disponibles sur www.kcprofessional.com.

Informations générales sur la sécurité

Ce distributeur peut être utilisé par des enfants âgés de plus de 8 ans et des personnes aux capacités physiques, sensorielles ou mentales réduites, ou manquant de connaissances ou d'expérience, à condition que la personne responsable de leur sécurité leur ait donné les instructions ou les seconde pour son utilisation. L'accès à la zone d'entretien est réservé aux personnes connaissant le distributeur et en ayant l'expérience, surtout en ce qui concerne la sécurité et l'hygiène.

Ce distributeur n'est pas un jouet et ne doit pas être utilisé comme tel par les enfants. Les enfants ne sont pas autorisés à nettoyer ou à faire l'entretien de ce distributeur. Les personnes à haut risque ne sont pas supposées utiliser ce distributeur à moins d'être sous supervision continue.

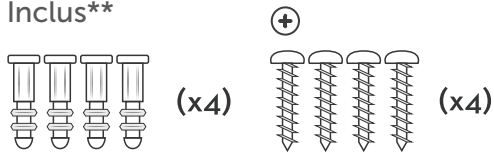
** Pour des plaques frontales supplémentaires, contactez votre représentant des ventes.

* Non inclus



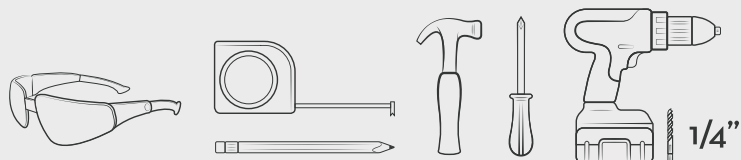
Installation Du Support

Inclus**



Pour les boutons-poussoir et autres pièces de rechange disponibles, contactez votre représentant des ventes.

Outils nécessaires :



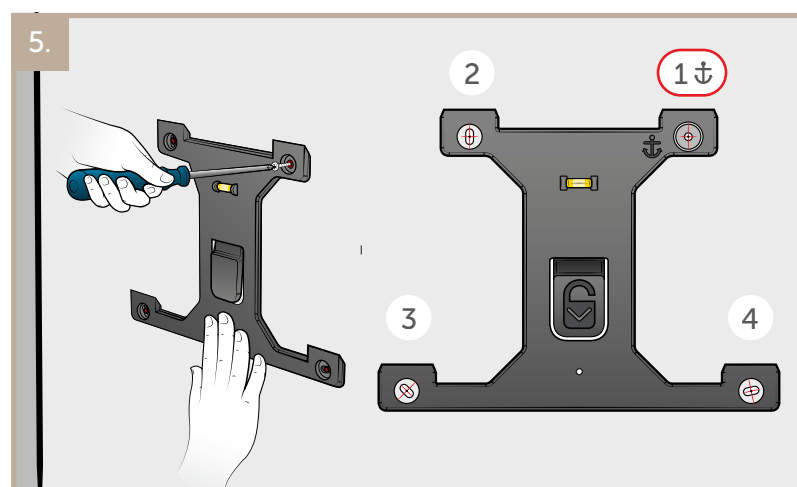
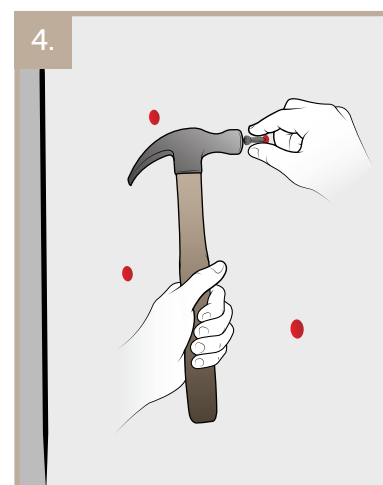
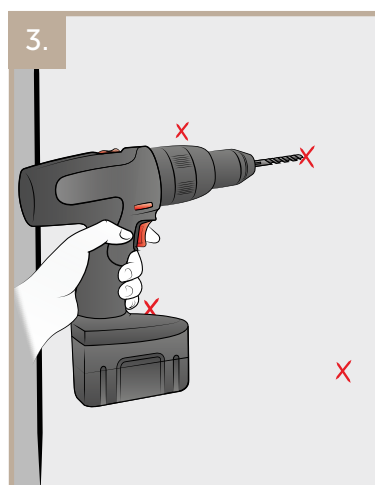
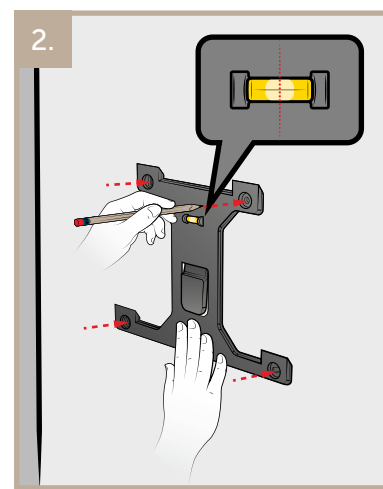
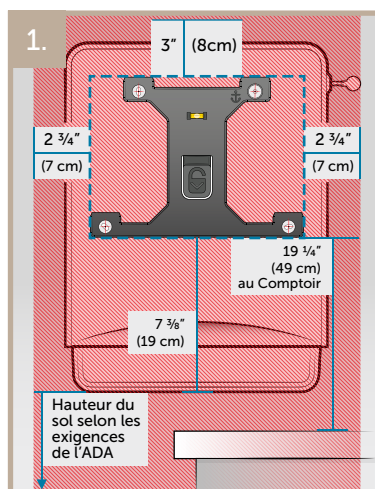
1. Mesurer avec un mètre ruban au moins 1,41 m (55,5 po) du sol au bas du support de montage. Laisser un espace de 7 cm (2,75 po) entre le mur et chaque côté du point le plus large du support. Laisser un espace de 8 cm (3 po) en haut du support. Si le distributeur est mis en place au-dessus d'un comptoir, laisser au moins 49 cm (19,25 po) d'espace en-dessous du support. S'assurer que le niveau intégré sur le support indique qu'il est à l'horizontale. S'assurer que l'espace libre requis est bien dégagé pour une installation correcte du distributeur.

Vérifier les exigences régionales et locales d'installation/de montage.

2. Une fois que le distributeur est mis correctement en place sur le mur, fixer soigneusement le support de montage et marquer les trous à percer.
3. Retirer le support du mur, pour laisser apparaître les quatre marques à percer. Percer chacun de ces trous pour y insérer les chevilles.
4. Enfoncer les quatre chevilles dans chacun des trous afin de visser le support au mur.
5. Remettre le support de montage en place et insérer une vis dans chaque cheville murale pour fixer le support de montage au mur.

Veiller à visser le support de montage au mur en commençant par le trou en haut à droite. **Veiller à ne pas trop serrer la vis pour ne pas endommager le support.**

- ** S'assurer d'utiliser le matériel de montage approprié pour le mur concerné du fait que le matériel fourni peut ne pas être compatible avec la surface du mur.

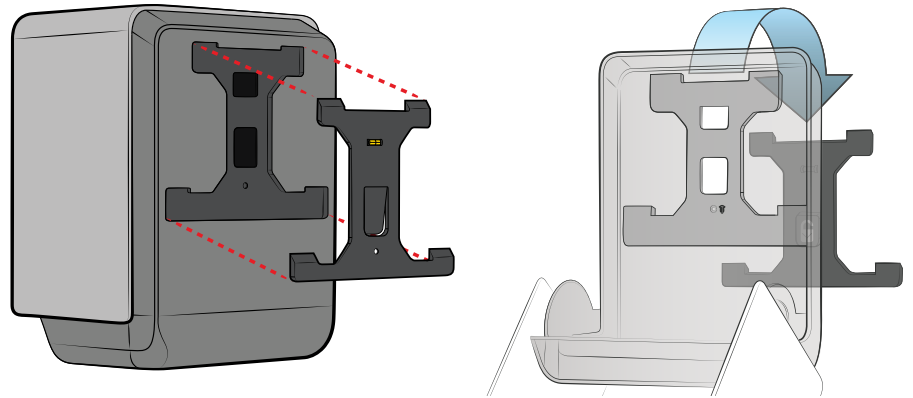




Installation Du Distributeur

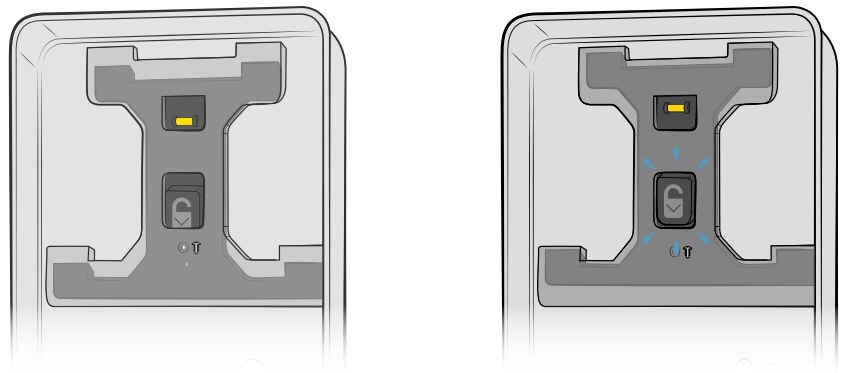
1. Aligner soigneusement le support monté au mur dans l'encoche de support dorsale correspondante du distributeur pour terminer l'installation.

1.



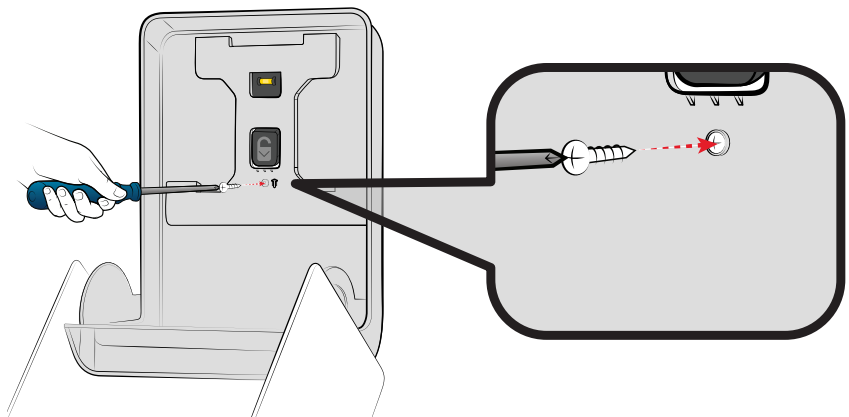
2. Une fois que le support de montage est dans sa pochette correspondante, abaisser le distributeur jusqu'au déclic du bouton de verrouillage.

2.



3. Visser la vis de sécurité pour finaliser le montage du distributeur au support de fixation. **Ne pas trop serrer la vis de sécurité !**

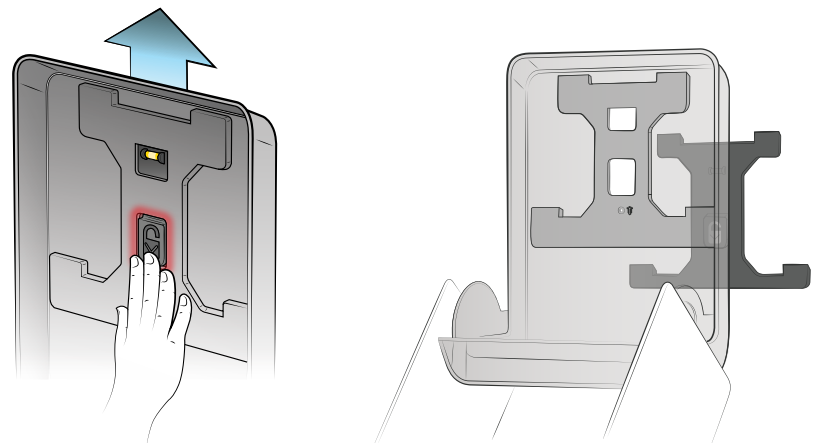
3.



Cette vis sert à maintenir le distributeur en place et à empêcher qu'il ne se détache du support de fixation.

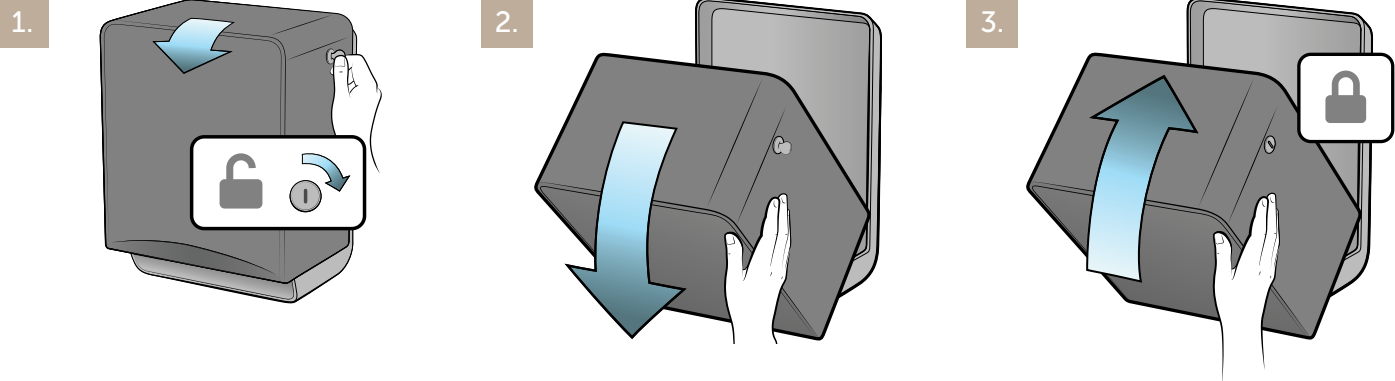
4. Pour retirer le distributeur, retirez d'abord la vis de sécurité. Appuyez ensuite sur le bouton de verrouillage et soulevez le distributeur du support.

4.



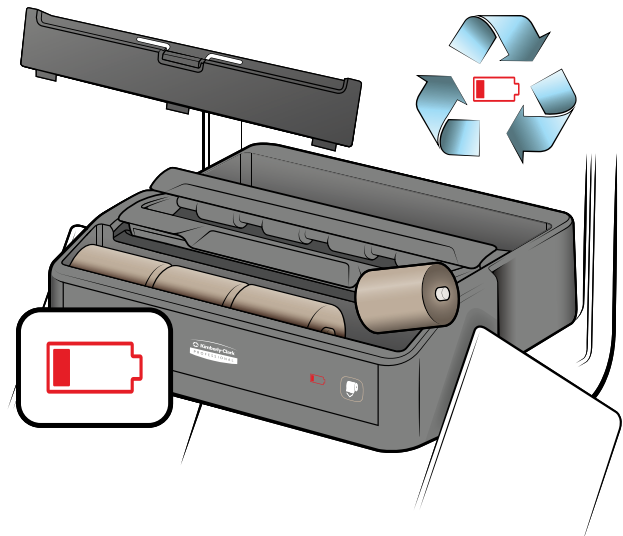
Accès Au Distributeur

1. Pour déverrouiller le distributeur, insérer la clé dans le verrou et faire tourner d'un quart de tour vers le mur. Tirer doucement le couvercle vers l'avant.
2. Retirer la clé. Le couvercle s'ouvrira automatiquement, ne pas forcer.
3. Pour verrouiller, fermer le couvercle. Le distributeur se verrouillera automatiquement sans la clé si le verrou est remis en position verrouillée.



Changer Les Piles

1. Pour charger les piles, appuyer sur le couvercle des piles et soulever.
2. Retirer les piles à plat le cas échéant.
3. Insérer les nouvelles piles en veillant à respecter leur polarité.
4. Aligner les languettes sur le couvercle des piles avec le devant de l'ouverture du compartiment des piles et pousser pour enclencher.



Information Sur Les Piles

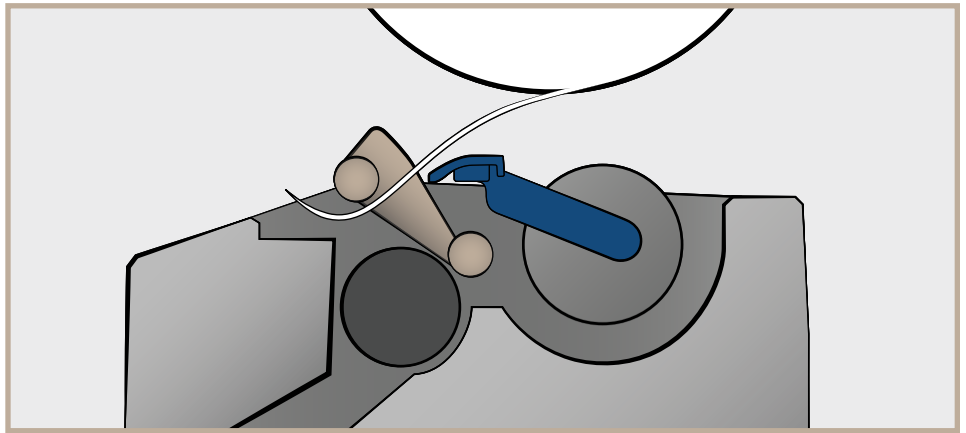
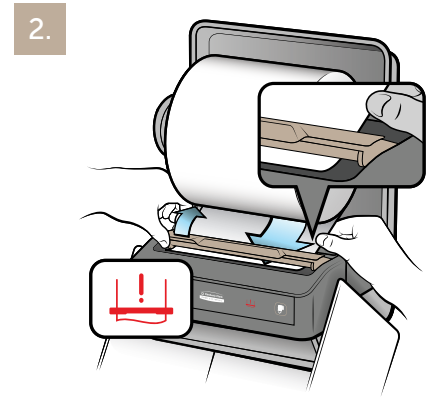
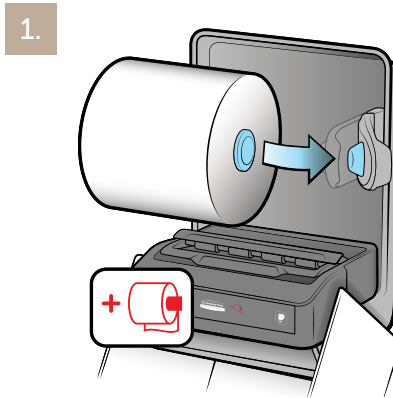
- Piles alcalines de type 4D de 1,5 V.
Piles fournies pour l'installation initiale.
- Changer les quatre piles en même temps et ne pas mélanger les types ou marques de piles.
- Suivre les instructions de mise en place des piles en veillant à respecter leur polarité.
- Les piles usagées doivent être jetées en toute sécurité et en suivant les normes environnementales locales.
- Ne pas court-circuiter les bornes d'alimentation des piles ou le distributeur.
- Les piles non rechargeables ne doivent pas être rechargées.
- Retirer les piles restées inutilisées pendant une période prolongée.

+ Recharger Un Nouveau Rouleau

1. Mettre en place un rouleau de papier dans les supports supérieurs.

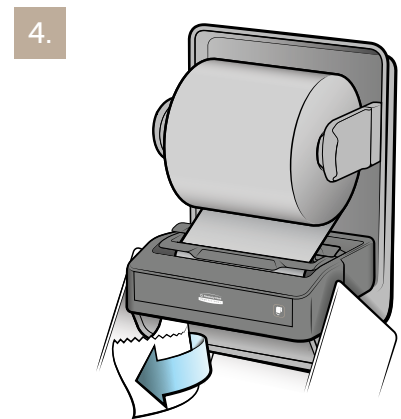
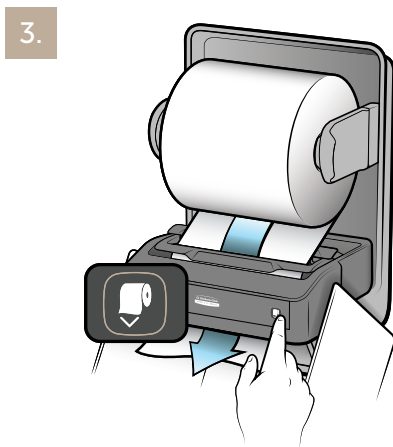
Ne pas retirer la prise. Certaines serviettes sont distribuées sur le haut du rouleau.

2. Soulever la barre de chargement en bronze et glisser le bord du rouleau de papier sous la barre et sur le grand rouleau noir. Laisser dépasser le papier de 2,54 cm (1 po) de la barre bronze. Relâcher la barre de chargement frontale.



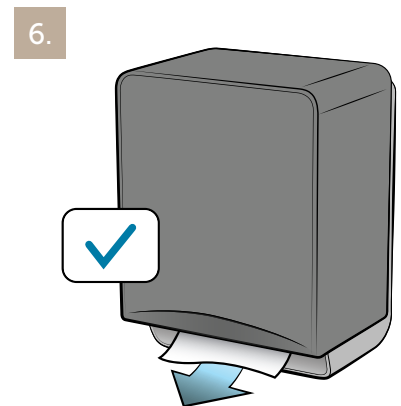
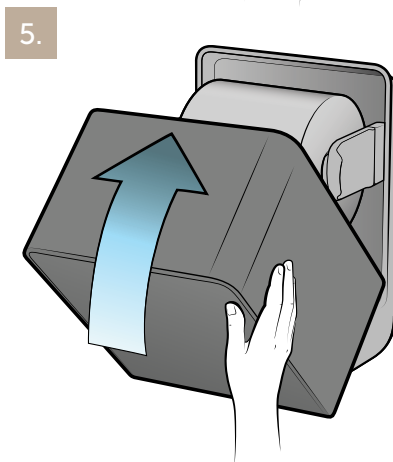
3. Appuyer sur le bouton alimentation du papier jusqu'à ce qu'il sorte du module.

4. Déchirer toute serviette libérée.



5. Bien refermer le couvercle.

6. Au bout de quatre secondes, une feuille sortira automatiquement pour confirmer que le rechargement s'est fait correctement.

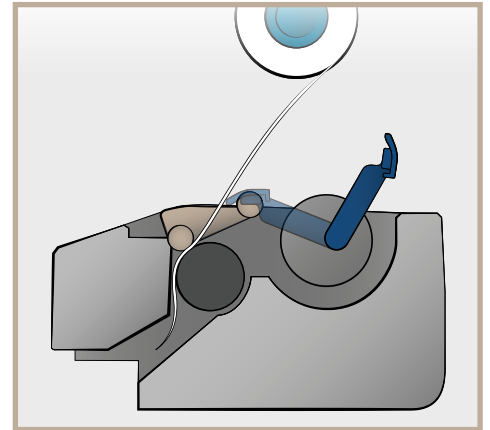
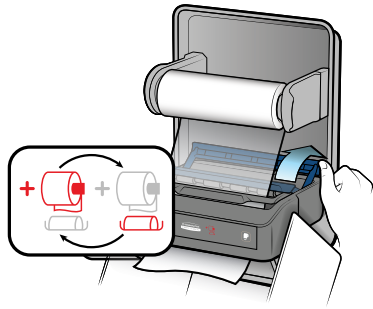




Charger Un Rouleau Partiel

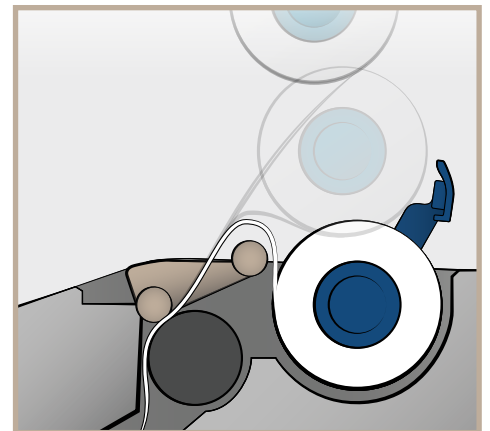
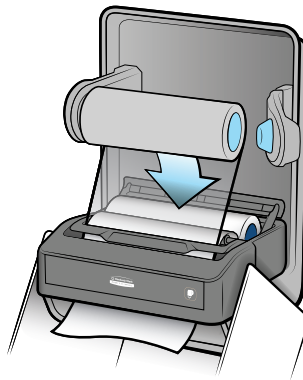
1. Soulever la barre bleue en position élevée.

1.



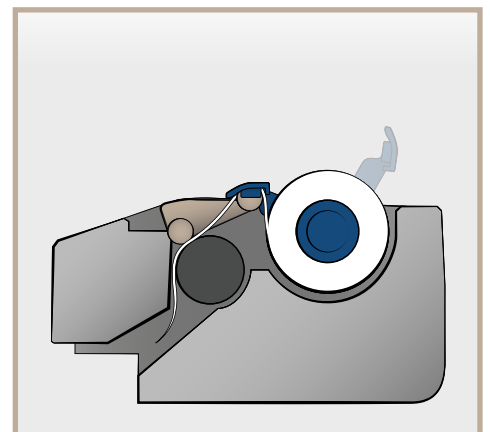
2. Sans libérer la feuille du mécanisme d'entraînement, déplacer le rouleau des supports supérieurs vers les supports inférieurs.

2.



3. Abaisser la barre de chargement bleue à sa position initiale.

3.

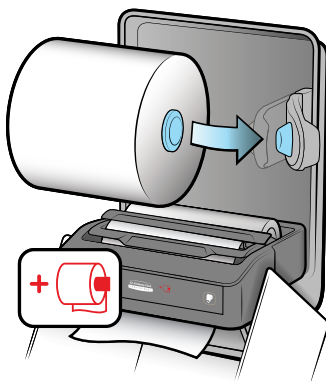




Charger Un Rouleau Partiel

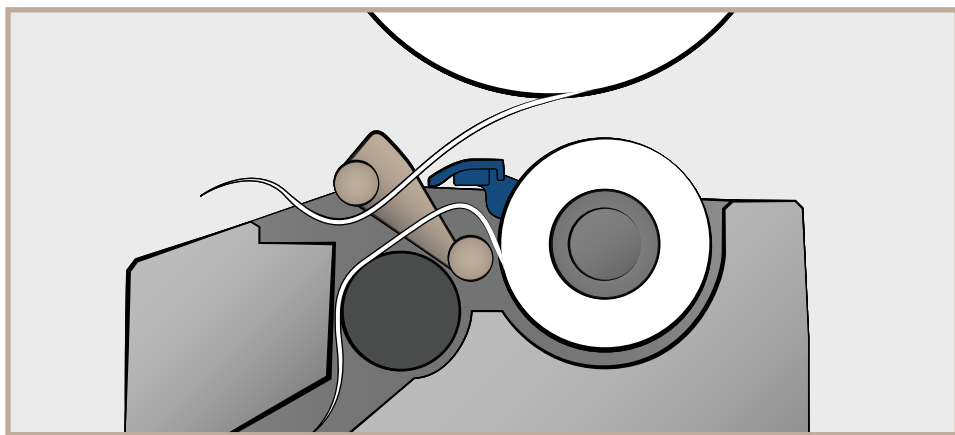
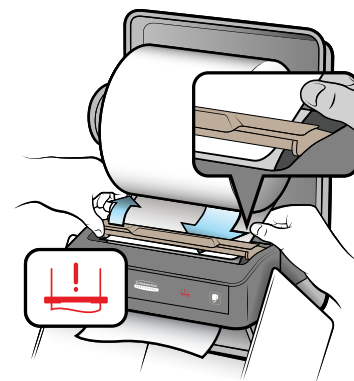
4. Mettre en place un nouveau rouleau de papier dans les supports supérieurs.

4.



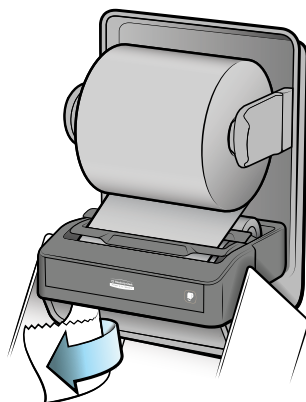
5. Soulever la barre de chargement en bronze et glisser le bord du rouleau de papier du nouveau rouleau sous la barre. Laisser dépasser le papier de 2,54 cm (1 po) de la barre de bronze.

5.



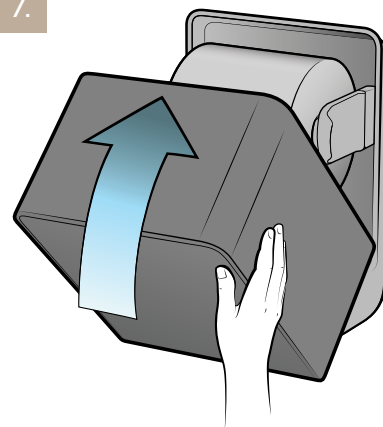
6. Déchirer toute serviette libérée.

6.



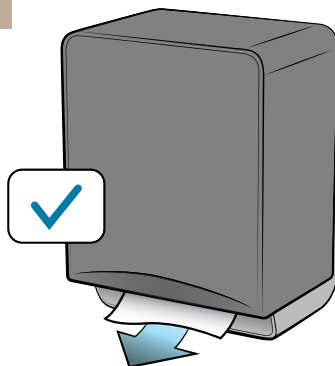
7. Bien refermer le couvercle.

7.



8. Au bout de quatre secondes, une feuille sortira automatiquement pour confirmer que le rechargement s'est fait correctement.

8.



Ne Pas Jeter Dans Les Toilettes



Jeter aux poubelles



Ne pas jeter dans les toilettes

Recommandation d'emplacement de l'étiquette



Les produits jetables ou non dans les toilettes, tels que le papier toilette, peuvent causer des problèmes de plomberie internes et des problèmes aux systèmes d'égouts municipaux.

Pour éviter ce genre de problème, Kimberly Clark Professional* fournit des étiquettes « Ne pas jeter dans les toilettes » pour les distributeurs blancs et effet acier inoxydable.

Ces étiquettes sont enduites d'un adhésif non permanent et peuvent être enlevées ultérieurement si désiré.