

Katrin Inclusive System Towel Dispenser - White

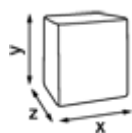
90045

- A full range of Katrin hand drying roll tissue qualities available
- The cover opens upwards for easy refilling
- Inserting a roll into the dispenser is done by simply letting the paper drop freely, pulling it until the marked line, and closing the cover
- The fully opening cutting mechanism is easily accessible and simple to clean
- When paper is not visible, there is an easy-to-use PUSH bar for paper feeding
- Braille instructions are provided for visually impaired on the PUSH bar
- Controlled consumption, minimum resistance to draw and high capacity: 420 - 800 sheets per roll depending on quality
- The lock can be used with or without a key
- The whole roll is always used. Almost fully used rolls automatically drop into the stub roll position when the roll has a diameter of approximately 7.5 cm
- The empty cores can simply be pulled out side wards from the back of the dispenser and recycled
- Main raw materials of major plastic parts and lock: ABS (Acrylonitrile butadiene styrene), PC (polycarbonate), POM (polyoxymethylene)
- Paper consumption is easy to control, thanks to the transparent side panels
- Katrin Inclusive dispensers are resistant to high temperatures
- Comply with UL94 Fire Safety and Fire Protection regulations (EU)



ISO9001

Product / Consumer pack



x 335 mm

y 403 mm

z 216 mm

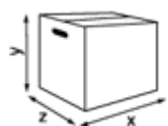


White



3.202 kg

Transport pack



x 422 mm

y 236 mm

z 340 mm



1

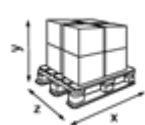


3.827 kg



6414300090045

Transport pallet



x 800 mm

y 1280 mm

z 1200 mm



30



139.96 kg



6414300090052

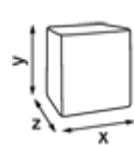


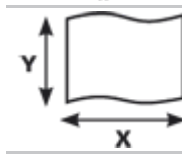
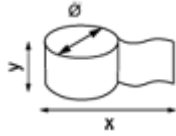
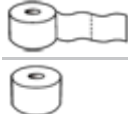


Katrin Classic System towel M2 Low Pallet

460102

- A hygienic solution based on extremely absorbent mixed fibre paper for effective drying
- 2-Ply, white
- Flat sheets are fed out in the right size
- Zero wastage with all the paper on the roll used up
- Large amount of paper on the roll
- When used in conjunction with the Katrin Inclusive System Towel Dispenser, the number of sheets per roll will be 711
- Suitable for all washrooms but especially where there is medium to high traffic
- Soft and strong
- Controlled consumption and reduced cost in use
- Approved for short-term contact with food
- Certified under the Nordic Swan Eco Label
- Dermatologically tested and approved



Product / Consumer pack

	x 190 mm y 210 mm z 190 mm		White 2		1.53 kg 2 x 24 g/m ²
	x 160000 mm y 209 mm		Ø 190 y 209 mm x 160 m		1 1
			Ø 42 mm		6414300460107

Transport pack

	x 380 mm y 230 mm z 570 mm		6 6		9.66 kg 6414305460102
---	----------------------------------	---	--------	---	--------------------------

Transport pallet

	x 800 mm y 1300 mm z 1200 mm		20		218.67 kg 6414307460100
---	------------------------------------	---	----	---	----------------------------

Related products

90045
**Katrin Inclusive
System Towel
Dispenser - White**



92025
**Katrin Inclusive
System Towel
Dispenser - Black**



40711
**Katrin System
Towel Dispenser
XL - Black**



40735
**Katrin System
Towel Dispenser
XL - White**