

82247

# Katrin Plastic Dispenser Small For Centrefeed Roll, Black

Centrefeed paper rolls are ideal for kitchens, workshops and industrial settings since they are designed for easy one-handed use and quick access to absorbent paper. Katrin Centrefeed Dispenser S in black is ideal for upscale environments or where darker tones are preferred. Compliant with S sized centrefeed paper rolls. With front-loading access and compatibility with coreless and detachable core rolls, it simplifies maintenance while ensuring consistent hygiene standards.



- Katrin offers a wide range of centrefeed paper rolls in different quality grades – Katrin and Katrin Plus – with options for coreless or detachable core formats and various roll lengths to suit every need.
- Front-loading design – quick and intuitive refilling
- Supports coreless and detachable core rolls – versatile use
- Safe tear-off edges – clean and efficient dispensing


**ISO 9001**    **ISO 14001**

**Country of Origin: France**

## Product

Length/Depth	174 mm	Colour	Black
Width	186 mm	Gross weight	0.998 kg
Height	348 mm		

## Trading unit

Length/Depth	191 mm	Gross weight	1.182 kg	EAN	
Width	174 mm	Consumer packs/trading unit	1		
Height	356 mm				

## Pallet

Length/Depth 1,200 mm

Gross weight 110.254 kg

EAN

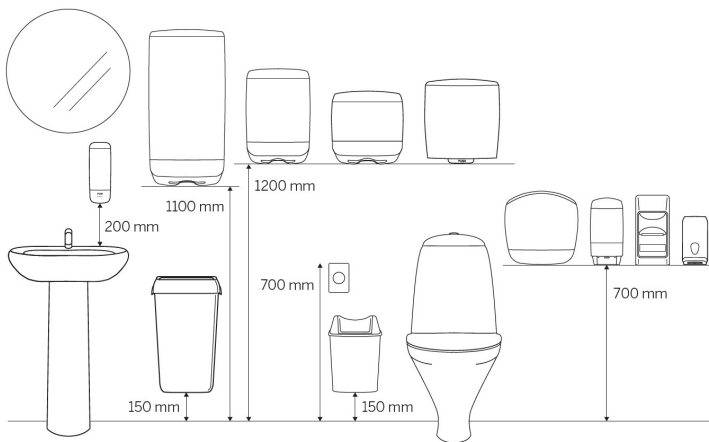


Width 800 mm

Trading units / pallet 72

Height 1,218 mm

## Measurements and Installing



## Related products

Selection from all countries. Please refer to web page for market-specific availability.



448257

Katrin Centrefeed Roll  
Small Coreless 116 Metres  
1-Ply



64427

Katrin Plus Centrefeed Roll  
Small 100 Metres 1-Ply



2634

Katrin Plus Centrefeed Roll  
Small 60 Metres 2-Ply



475218

Katrin Plus Centrefeed Roll  
Small Coreless 110 Metres  
1-Ply



464806

Katrin Plus Centrefeed Roll  
Small Coreless 60 Metres  
2-Ply

This leaflet is provided for information purposes only and no liability of any kind is accepted for potential errors or inaccuracies. Metsä Tissue reserves the right to alter its products, product information and product range without any notice.